



SECURITY ACCESS PANELS

Trafalgar Security Access Panels are manufactured in Australia and have been designed for use where there is a need to provide security as well as access.

Trafalgar Security Access Panels allow for an aesthetically pleasing means of providing secure access into walls and ceilings, and are fully customisable to meet any security specification.

KEY FEATURES



- Australian made quality
- Anti-ligature and anti-tampering design
- Fully welded, pre-primed and ready for installation
- Wide range of lock and panel specifications, including SCEC hardware
- Fully customisable
- Acoustic rating

APPLICATIONS



- Health care
- Mental health wards
- Correctional centres
- Police stations
- Banks
- Defence
- Airports

TRADES



TABLE OF CONTENTS

Click
page title to go to
Page



Section	Page	
Security Access Standard Range	3	
Custom Access Panels	4	
Specifications	5	
Frame Type: Flanged Edge (SAP-FE)	6	
Frame Type: Wet Wall(SAP-WW)	7	
Installation	Plasterboard	8
	Masonry	9
Technical Drawing	Security Access Panel - Plasterboard/Masonry	10
	Security Access Panel - Plasterboard/Masonry- Install Profile	11
FAQ	12	
Custom Order Forms	13-15	

SECURITY ACCESS STANDARD RANGE


[Click here to go back to Contents](#)

SPECIFICATIONS

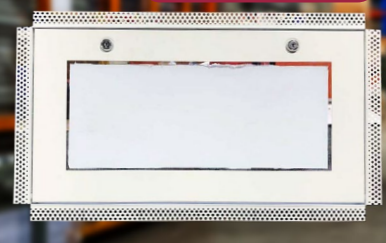


THE TRAFALGAR ACCESS DIFFERENCE			Others
DOOR PANEL	Steel construction with optional MDF or steel rib inserts for durability and/or weight reduction, pre-primed for ease of installation and finishing.	✓	?
FRAME	Fully welded steel frame, pre-primed for ease of installation and finishing	✓	?
NOMINALLY SIZED	Trafalgar Steel Access Panels are manufactured 5mm smaller than the nominal size for ease of installation in uneven openings (i.e. a 600 x 600mm Security Access Panel is designed for installation into a 600 x 600mm opening)	✓	?
HARDWARE OPTIONS	Made in Australia to suit Australian security specifications. A range of hardware (including SCEC-endorsed locks) is available to meet your security specifications	✓	?
HINGE	Welded-pin continuous piano hinge that is flush with the door panel to prevent damage/unintended access	✓	?
RANGE OF STANDARD OPTIONS	Available with a broad range of standard options <ul style="list-style-type: none"> • Lock shrouds to prevent unintended access • Perforated doors for airflow requirements • SCEC-endorsed lock options • Gas struts for access safety 	✓	?
PACKAGING	Packaged to avoid freight damage	✓	?
CUSTOMISATION AVAILABLE	Made in our South Granville, NSW factory and supported by our team of engineers, the Trafalgar SAP can be customised quickly and cost effectively to suit your projects needs	✓	?
ACOUSTIC	Trafalgar's high security access panel has been independently tested and achieves an acoustic rating of Rw38 + Ctr35.	✓	?

Trafalgar Access also supplies a comprehensive range of fire rated, acoustic, customwood, tileable and specialty Access Panels.

000821

PERSPEX



DOUBLE DOORS



MADE LOCALLY MEANS VERSATILITY



SPECIALIST LATCHES



COLOURS



We can help you with your special projects!

OVERSIZED



Customisation options include:

Click
here to go back to
Contents

- 🔑 A huge range of sizes including odd shapes and oversized
- 🔑 Single and double doors
- 🔑 Flanges, latches, and hinges
- 🔑 Panel material - including stainless steel
- 🔑 Colour options

All this made locally means fast turn around.

Talk to the Trafalgar Team today to design your custom Access Panel.*

*Customisation options limited for Acoustic and Fire Rated Access Panel ranges.

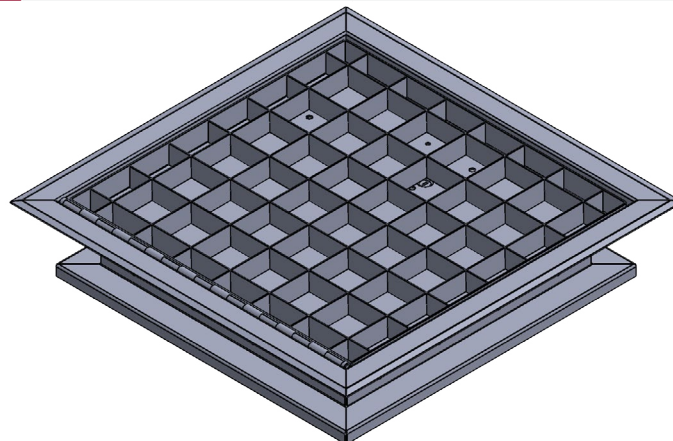
ODD SHAPES



SPECIFICATIONS



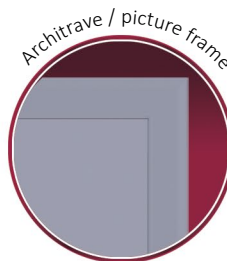
	Low	Medium	High
FRAME SPECS	1.1mm ZA steel	1.6mm ZA steel	1.6mm ZA steel
FRAME PROFILE	55mm	100mm	105mm
DOOR PROFILE	24mm	28mm	37mm
DOOR SPECS	-1.1mm ZA steel door -No infill -1.1mm ZA backpan	-1.6mm ZA steel door -No infill -1.6mm ZA backpan	-2.0mm ZA steel door -MDF infill -1.6mm backpan - Acoustic tape
DOOR OPTIONS	-MDF infill -Steel rib infill -Perforated door	-MDF infill -Steel rib infill -Perforated door -Gas Strut (For Large Panels)	- Steel rib infill -Perforated door -Gas Strut (For Large Panels)
LOCK (STANDARD)	Key Cam	Kaba Nightlatch (with lock box)	SCECL3 Bilock
LOCK OPTIONS	-Kaba Nightlatch (with lock box) - Lockwood 201	SCECL2 lock -SCECL3 lock - Lockwood 201	-Kaba Nightlatch (with lock box) -SCEC Mortice Lock - Lockwood 201
HINGE	Piano hinge	Piano hinge (heavy duty)	Piano hinge (heavy duty)
WEIGHT (450 X 450 STANDARD) <i>WILL VARY ACCORDING TO OPTIONS SELECTED</i>	5kg	11kg	16kg
ACOUSTIC RATING	N/A	N/A	Rw38 + Ctr35. Contact Trafalgar if you require a higher rating.
CUT-OUT SIZE	Cut out size should be the same size as the access panel. For example, 450 x 450 access panel will have a 450 x 450 cutout		
FRAME TYPES	Flanged Edge (FE) (Feathered Edge or Picture Frame) Wet Wall (WW) (Set Bead or Concealed Frame) Stainless Steel (Optional)		
ALSO AVAILABLE	Trafalgar can custom manufacture to meet your specifications. Trafalgar also supply a comprehensive range of fire rated, metal, customwood, tileable and specialty Access panels.		



STEEL RIB INFILL

Frame Type FLANGED EDGE (FEATHERED EDGE)

Picture frame









Frame detail



Panel installed
(SAP-M-450-FE shown)



STANDARD RANGE

Model	Panel FE Steel panel door + picture frame pre-primed	Lock	Item Number	Dimensions (mm)	Frame Depth
Low Security Access Panel		Key Cam (standard, options available) 	SAP-L-300-FE	300 x 300 mm	55mm
			SAP-L-450-FE	450 x 450 mm	
			SAP-L-600-FE	600 x 600 mm	
Medium Security Access Panel		Kaba Nightlatch (standard, options available) 	SAP-M-300-FE	300 x 300 mm	100mm
			SAP-M-450-FE	450 x 450mm	
			SAP-M-600-FE	600 x 600 mm	
High Security Access Panel		SCECL3 Bilock (standard, options available) 	SAP-H-300-FE	300 x 300 mm	105mm
			SAP-H-450-FE	450 x 450mm	
			SAP-H-600-FE	600 x 600 mm	

Click here to go back to Contents

Frame Type WET WALL (PERFORATED EDGE)









Frame detail



Panel installed
(SAP-M-450-WW Shown)



STANDARD RANGE

Model	Panel WW Steel panel door + picture frame pre-primed	Lock	Item Number	Dimensions (mm)	Frame Depth
Low Security Access Panel		Key Cam (standard, options available) 	SAP-L-300-WW	300 x 300 mm	55mm
			SAP-L-450-WW	450 x 450 mm	
			SAP-L-600-WW	600 x 600 mm	
Medium Security Access Panel		Kaba Nightlatch (standard, options available) 	SAP-M-300-WW	300 x 300 mm	100mm
			SAP-M-450-WW	450 x 450mm	
			SAP-M-600-WW	600 x 600 mm	
High Security Access Panel		SCECL3 Bilock (standard, options available) 	SAP-H-300-WW	300 x 300 mm	105mm
			SAP-H-450-WW	450 x 450mm	
			SAP-H-600-WW	600 x 600 mm	

Click here to go back to Contents

INSTALLATION

PLASTERBOARD

Click here to go back to Contents



Mark and cut out hole the same size as the access panel nominal size. For a 600 x 600mm nominal Security Access Panel, the ideal cut-out size is 600 x 600mm.



The opening must be framed with studs / noggings to affix the panel to.



With the door open, screw the frame into the wall/ceiling through the pre-formed fixing holes (200mm centres recommended).



Fixings must be appropriate for the wall/ceiling – Anti-tamper 10g screws are recommended in the absence of a specified fixing.

INSTALLATION

MASONRY

Click here to go back to Contents

MARK



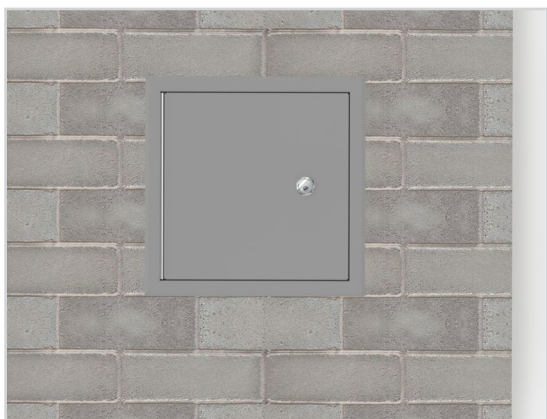
Mark and cut out hole the same size as the access panel nominal size. For a 600x600mm nominal Security Access Panel, the ideal cut-out size is 600x600mm.

FIT



With the door open, screw the frame into the wall/ceiling through the pre-formed fixing holes (400mm centres recommended).

FIX



Fixings must be appropriate for the wall/ceiling – Anti-tamper 6mm masonry anchors are recommended in the absence of a specified fixing.



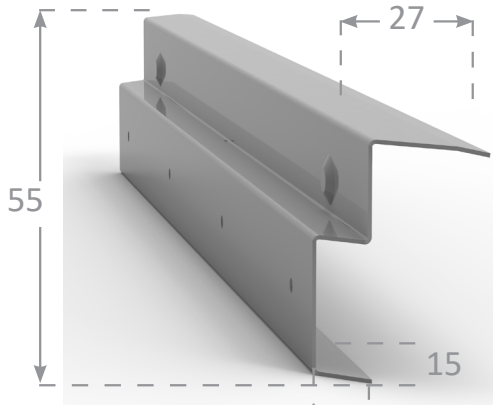
TECHNICAL DRAWING

SECURITY

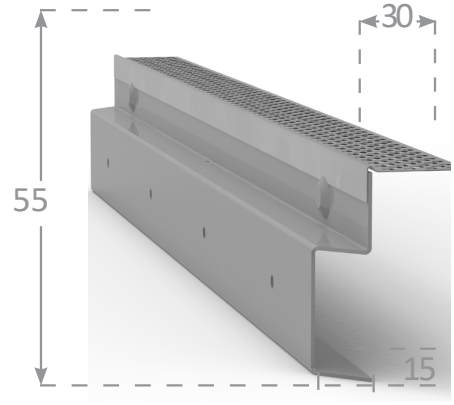
Note: All measurements are in millimeters (mm)



Low Security 55mm DEPTH



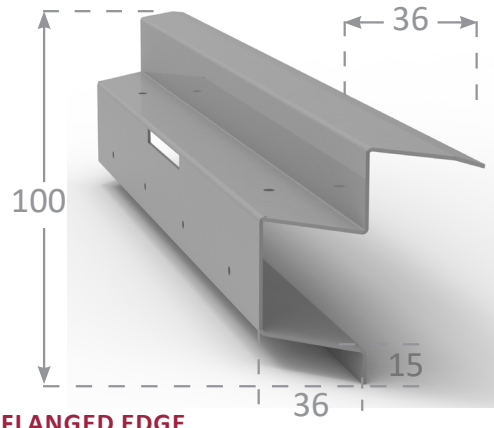
**FLANGED EDGE
(FEATHERED EDGE)** Picture frame



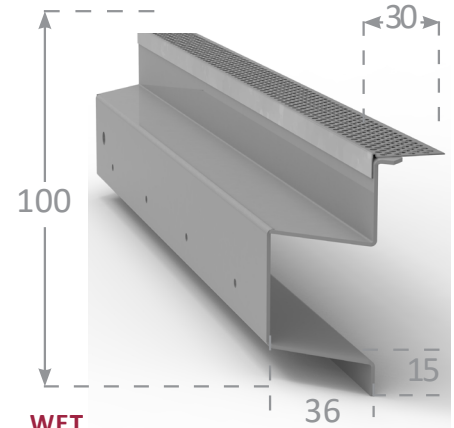
**WET WALL
(SET BEAD)** Concealed frame



Medium Security 100mm DEPTH



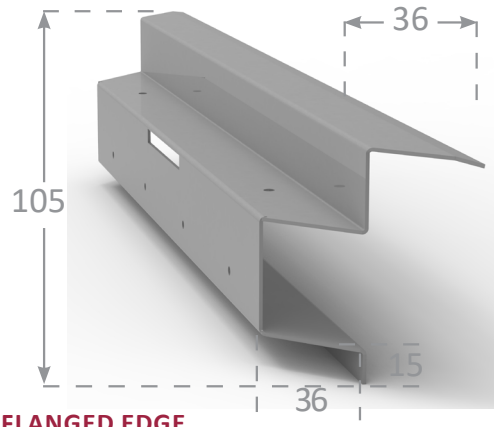
**FLANGED EDGE
(FEATHERED EDGE)** Picture frame



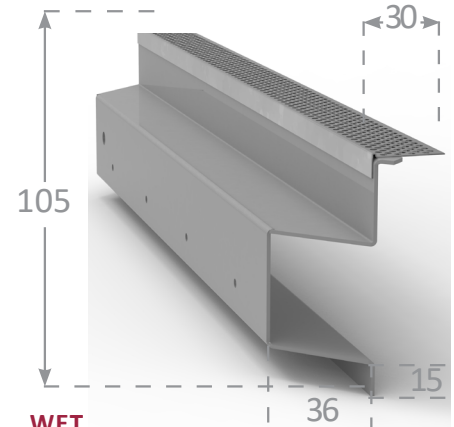
**WET
(SET BEAD)** Concealed frame



High Security 105mm DEPTH



**FLANGED EDGE
(FEATHERED EDGE)** Picture frame



**WET
(SET BEAD)** Concealed frame

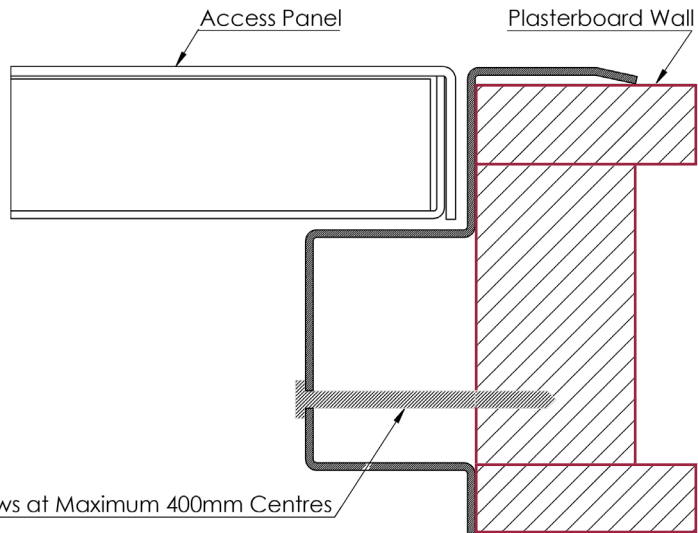


Note: All measurements are in millimeters (mm)



PLASTERBOARD

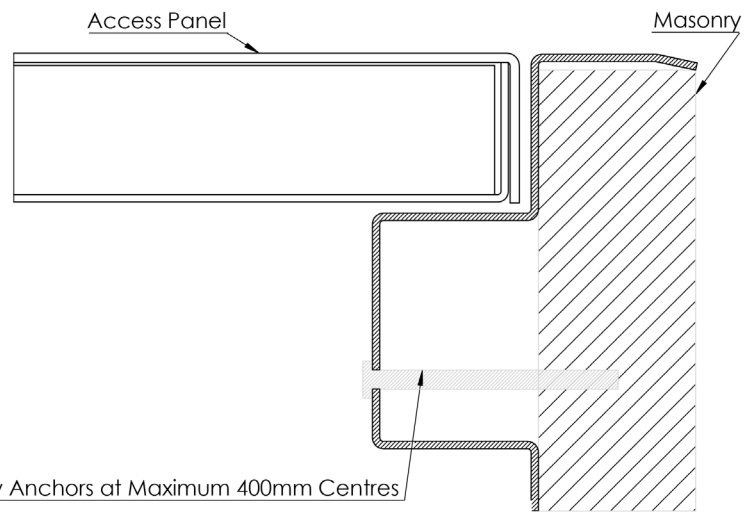
Install Profile



Specified Tamper Proof Screws at Maximum 400mm Centres

MASONRY

Install Profile



Specified Tamper Proof Masonry Anchors at Maximum 400mm Centres

Click here to go back to Contents

FAQ

Q Can we install this panel into a floor?

A No, these Security Access Panels are for wall and ceiling applications only.

Q Does this panel have an acoustic rating?

A Yes, If you require acoustic security panels please contact the Trafalgar access team on 1800 888 714 to discuss your requirements.

Q Is this access panel for low, medium or high risk areas?

A We manufacture access panel across varying security levels to meet your needs, please contact the Trafalgar access team on 1800 888 714 to discuss your requirements..

Q What if I don't need such a high security panel for my application?

A Call the Trafalgar Access team on [1800 888 714](tel:1800888714) and we can discuss our low and medium security options to provide a solution.

Q What prevents someone in the ceiling space opening the panel and gaining access?

A Our medium security SAP comes standard with a securely fitted lock box on the back of the panel to prevent unwanted access. Alternate lock options and/or lock boxes can be fit to the SAP range to prevent access from the unsecured side.

Q I have an unusual application, can you manufacture a safe upward opening security panel?

A Yes, call the Trafalgar Access team on [1800 888 714](tel:1800888714) to discuss your requirements.

Q Is this panel anti-ligature?

A Yes, Trafalgar Access has designed an anti-ligature and anti-tampering high Security Access Panel. Please note that while the Access Panel is designed with this in mind, the installation and any additions to the panel (handles,etc) may reduce the effectiveness of these features.

Q Can I have this access panel powder coated?

A Yes, Please contact the Trafalgar Access team on [1800 888 714](tel:1800888714) to discuss your requirements.

Click
here to go back to
Contents

SOCIAL MEDIA



Linked in

YouTube

LOW SECURITY ACCESS PANEL ORDER CONFIRMATION

Customer to complete for each size panel required. All panels will be manufactured 5mm smaller than the opening size in wall or ceiling to a tolerance of +/-2mm. It is designed for easy install.

Opening size in ceiling or wall:		Height	mm	Width	mm
				None (standard) MDF Steel Rib (lightweight infill)	
Step 1 APPLICATION Wall Ceiling	Step 2 FRAME TYPE Flanged Edge (Feathered Edge or Picture Frame) Wet Wall (Seat Bead or Concealed frame)	Step 3 DOOR INFILL		Step 4 LOCK OPTIONS <div style="display: flex; justify-content: space-around;"> <div style="text-align: center;"> Key Cam (standard) </div> <div style="text-align: center;"> Lockwood 201 (with lock shroud) </div> <div style="border: 2px solid red; padding: 5px; text-align: center;"> Kaba Nightlatch Lock Shroud </div> </div>	
CLICK THE IMAGE TO VISIT OUR WEBSITE <div style="text-align: center; background-color: #800000; color: white; padding: 5px; width: fit-content; margin: 0 auto;"> www.taccess.com.au </div>		OTHER			
		MATERIAL 1.1mm zincanneal steel 1.2mm stainless steel			
		If the above does not meet your requirements, please contact our Sales Team on 1800 888 714.			
		Quantity Company name Contact Name Date Signature			
		*By signing and returning this order confirmation, you are agreeing to the manufacture of a custom panel subject to Trafalgar's Terms and Conditions.			

MEDIUM SECURITY ACCESS PANEL ORDER CONFIRMATION

Customer to complete for each size panel required. All panels will be manufactured 5mm smaller than the opening size in wall or ceiling to a tolerance of +/-2mm. It is designed for easy install.

Opening size in ceiling or wall:		Height	mm	Width	mm
				None (standard)	
				Step 3 DOOR INFILL MDF Steel Rib (lightweight infill)	
				Step 4 LOCK OPTIONS	
Step 1 APPLICATION <p>Wall</p> <p>Ceiling</p>		Step 2 FRAME TYPE <p>Flanged Edge (Feathered Edge or Picture Frame)</p> <p>Wet Wall (Seat Bead or Concealed frame)</p>		<p>Lockwood 201 (with lock shroud)</p> <p>SCECL3 Bilock</p>	<p>Kaba Nightlatch (standard)</p> <p>Lock Shroud</p>
OTHER					
MATERIAL					
1.6mm zincanneal steel					
1.6mm stainless steel					
CLICK THE IMAGE TO VISIT OUR WEBSITE 			If the above does not meet your requirements, please contact our Sales Team on 1800 888 714.		
			Quantity		
			Company name		
			Contact Name		
			Date		
			Signature		
www.taccess.com.au			<small>*By signing and returning this order confirmation, you are agreeing to the manufacture of a custom panel subject to Trafalgar's Terms and Conditions.</small>		

HIGH SECURITY ACCESS PANEL ORDER CONFIRMATION

Customer to complete for each size panel required. All panels will be manufactured 5mm smaller than the opening size in wall or ceiling to a tolerance of +/-2mm. It is designed for easy install.

Opening size in ceiling or wall:		Height	mm	Width	mm
Step 1 APPLICATION Wall Ceiling		Step 2 FRAME TYPE Flanged Edge (Feathered Edge or Picture Frame) Wet Wall (Seat Bead or Concealed frame)		Step 3 DOOR INFILL MDF Steel Rib (lightweight infill)	
		Step 4 LOCK OPTIONS Lockwood 201 (with lock shroud) Kaba Nightlatch (with lock shroud)		 SCECL3 Bilock (standard) SCEC Mortice: With Access From Front Back Both	
OTHER					
MATERIAL 1.6mm & 2mm zincanneal steel 1.6mm & 2mm stainless steel					
If the above does not meet your requirements, please contact our Sales Team on 1800 888 714.					
Quantity Company name Contact Name Date Signature					
<small>*By signing and returning this order confirmation, you are agreeing to the manufacture of a custom panel subject to Trafalgar's Terms and Conditions.</small>					

CLICK THE IMAGE TO VISIT OUR WEBSITE



www.taccess.com.au